

Technical Specifications

Power Supply	21.6...25.2VDC PELV
Power Consumption	Standby: <100 mW Red: 1.5W Green: 4.8W Blue: 1W Warm White: 12W
Rated Luminous Flux Warm White	typ. 975lm
Color Temperature Warm White	typ. 3000K
Dimming	1...100% with PWM
Beam Angle	Warm White: 30° RGB: diffused 120°
CRI	min. 80, typ. 83
PWM Signal	125...400Hz
Rating	Safety Rating IP20
Ambient Temperature	-40...55°C / -40...131°F
Humidity	95% r.H. (non condensing)
Max. drop from ceiling to lower edge of pendant	2 meters
Connection	with Clamps
Maintenance & Cleaning	This device is free of maintenance and may only be cleaned with a dry cloth.

LOXONE

LOXONE

Need Help?

loxone.com/support

Loxone Electronics GmbH
Smart Home 1
4154 Kollerschlag
Austria

loxone.com



VZ21119

LED Pendulum Slim RGBW

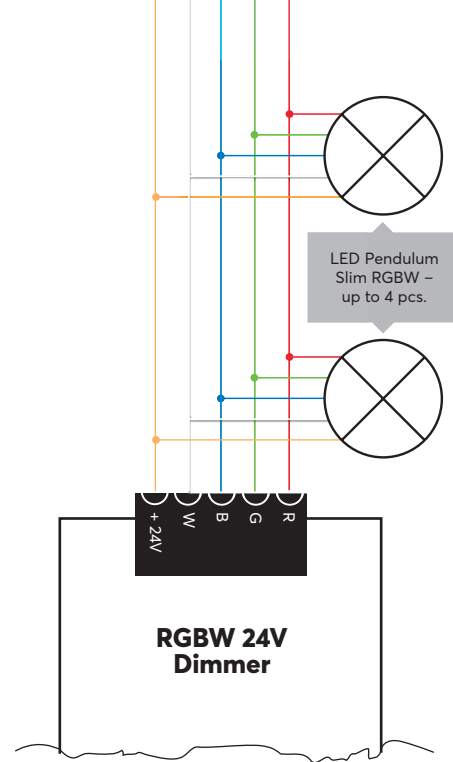
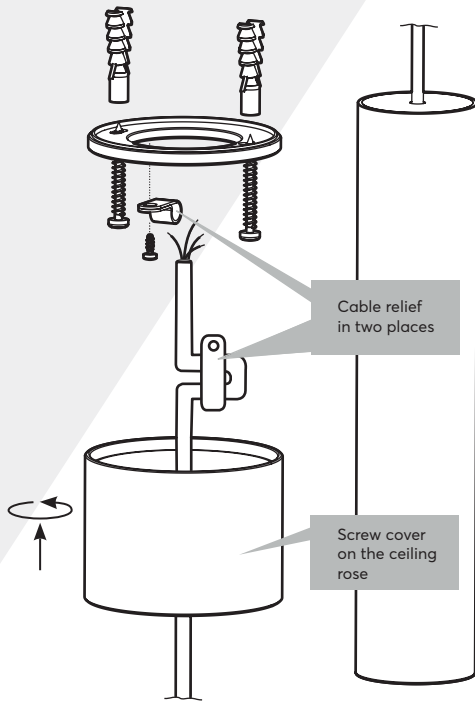
Part No: 100274 (White)
Part No: 100275 (Anthracite)

About the product

The LED Pendulum Slim RGBW is a tubular pendant Luminaire providing coloured or warm white light using the latest RGBW LED technology. It is best controlled with the Loxone RGBW 24V Dimmers, allowing up to 4 Pendulum Slim fittings per dimmer.

Installation & electrical connection

The installation of this device has to be carried out by a qualified person. The device has to be fitted in accordance with building regulations for electrical and fire safety. If the device is not installed according to manufacturers guidelines the protection of the device may be affected.



This folder is a part of the product!



For additional information, declaration of conformity, visit www.loxone.com/help/led_pendulum_slim